

# Computar Vario-Objektiv TG2Z1816FCS

**2X 1.8mm - 3.6mm F1.6**  
**for 1/3 type Cameras, Vari-focal Auto Iris DC Drive**  
**CS-Mount**

with Focus, w/o Amplifier

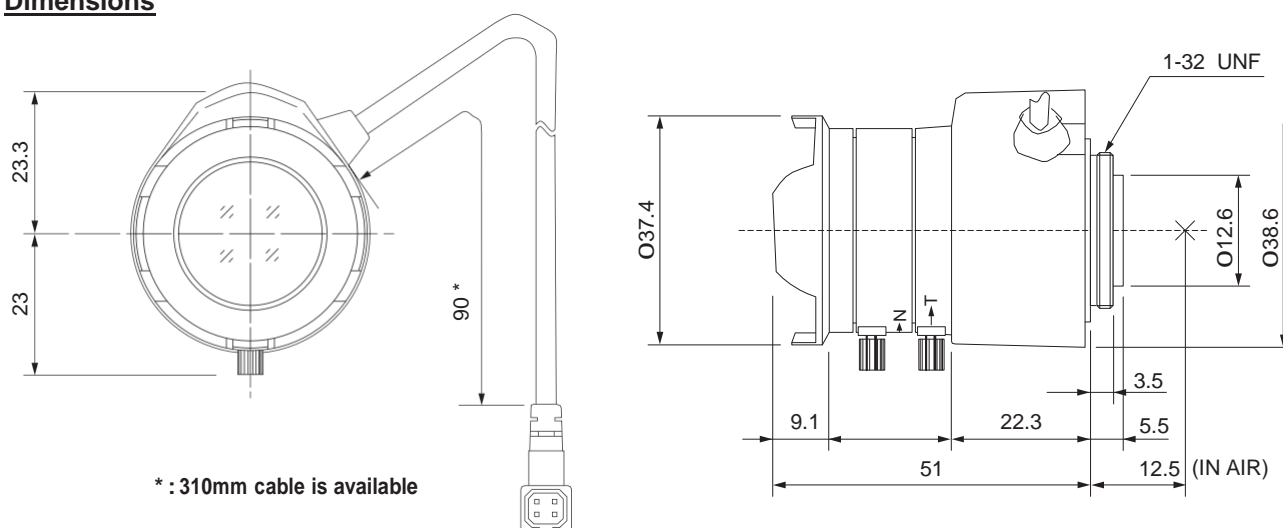
Model No.	TG2Z1816FCS		Effective	Front	O22.0mm
Focal Length	1.8mm - 3.6mm		Lens Aperture	Rear	O7.9mm
Max. Aperture Ratio	1:1.6		Back Focal Length	Tele	10.5mm
Max. Image Format	4.8mm x 3.6mm(O6mm)			Wide	7.0mm
Operation Range	Iris	F1.6 - F360C		Flange Back Length	12.5mm
	Focus	0.2m - Inf.		Mount	CS-Mount
	Zoom	1.8mm - 3.6mm		Filter Size	—
Control	Iris	DC Auto Iris		Dimensions	O37.4mm x 42.6mm x 51mm
	Focus	Manual		Weight	78g
	Zoom	Manual			
Object Dimension at M.O.D.	1.8mm	123.8cm x 56.5cm			
	3.6mm	33.2cm x 22.9cm			
Angle of View	D	1/3 type	173.8 - 99.0	1/4 type	135.8 - 74.4
	H		144.2 - 79.4		109.5 - 59.6
	V		109.4 - 59.6		82.3 - 44.7
Coil	Drive	1900			
	Control	8550			
Operating Temperature	-20 C - +50 C				

M.O.D : Minimum Object Distance

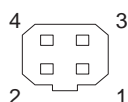
**1/3**  
type

**CS**

## Dimensions



## Wiring Diagram



### Pin No.

1	BROWN	Control (-)
2	RED	Control (+)
3	YELLOW	Drive (+)
4	ORANGE	Drive (-)