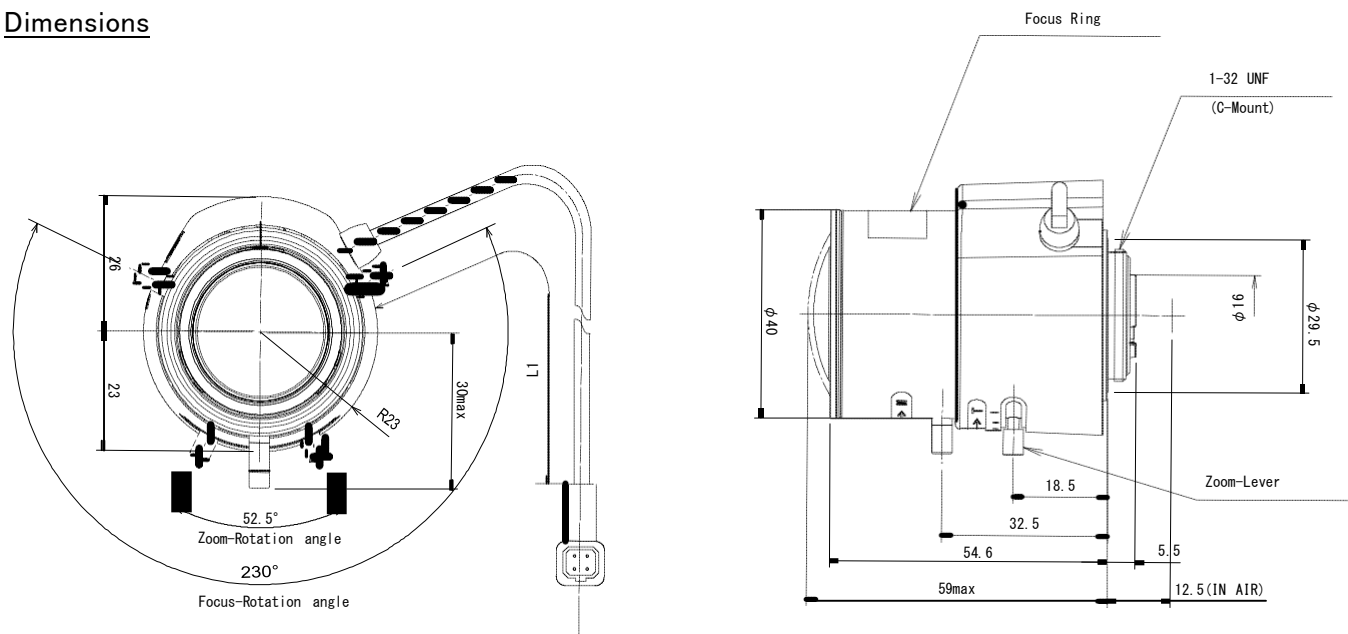


Computar Megapixel Objektiv AG3Z2812FCS-MPWIR

3X 2.8mm-8.5mm F1.2 Day & Night
for 1/2.7 type Megapixel Cameras, Vari-focal, Auto Iris DC Drive
CS-Mount

Model No.		AG3Z2812FCS-MPWIR		Effective	Front	ϕ 24.8mm		
Focal Length		2.8mm - 8.5mm		Lens Aperture	Rear	ϕ 8.4mm		
Max. Aperture Ratio		1:1.2			Back Focal Length	Tele	7.3mm	
Max. Image Format		3.2mm x 5.8mm(ϕ 6.6mm)		Length		Wide	7.3mm	
Operation Range	Iris	F1.2 - F360C			Flange Back Length		12.5mm	
	Focus	0.5m - Inf.		Mount		CS-Mount		
	Zoom	2.8mm - 8.5mm		Filter Size		-		
Control	Iris	DC Auto Iris		Dimensions		ϕ 40 mm x 49 mm x 59 mm		
	Focus	Manual		Weight		67g		
	Zoom	Manual						
Angle of View	D	1/2.7 type	150.4° - 47.1°	1/3 type	130.4° - 42.8°	1/4 type	92.1° - 32.0°	
	H		124.7° - 41.3°				99.1° - 34.1°	72.3° - 25.6°
	V		63.9° - 22.7°				72.3° - 25.6°	53.5° - 19.1°
Coil	Drive	190 Ω /20°C						
	Control	1310 Ω /20°C						
Operating Temperature		-10°C - +50°C						

Dimensions



Wiring Diagram

Pin No.			
1	BROWN	Control(-)	
2	RED	Control(+)	
3	YELLOW	Drive (+)	
4	ORANG-	Drive (-)	